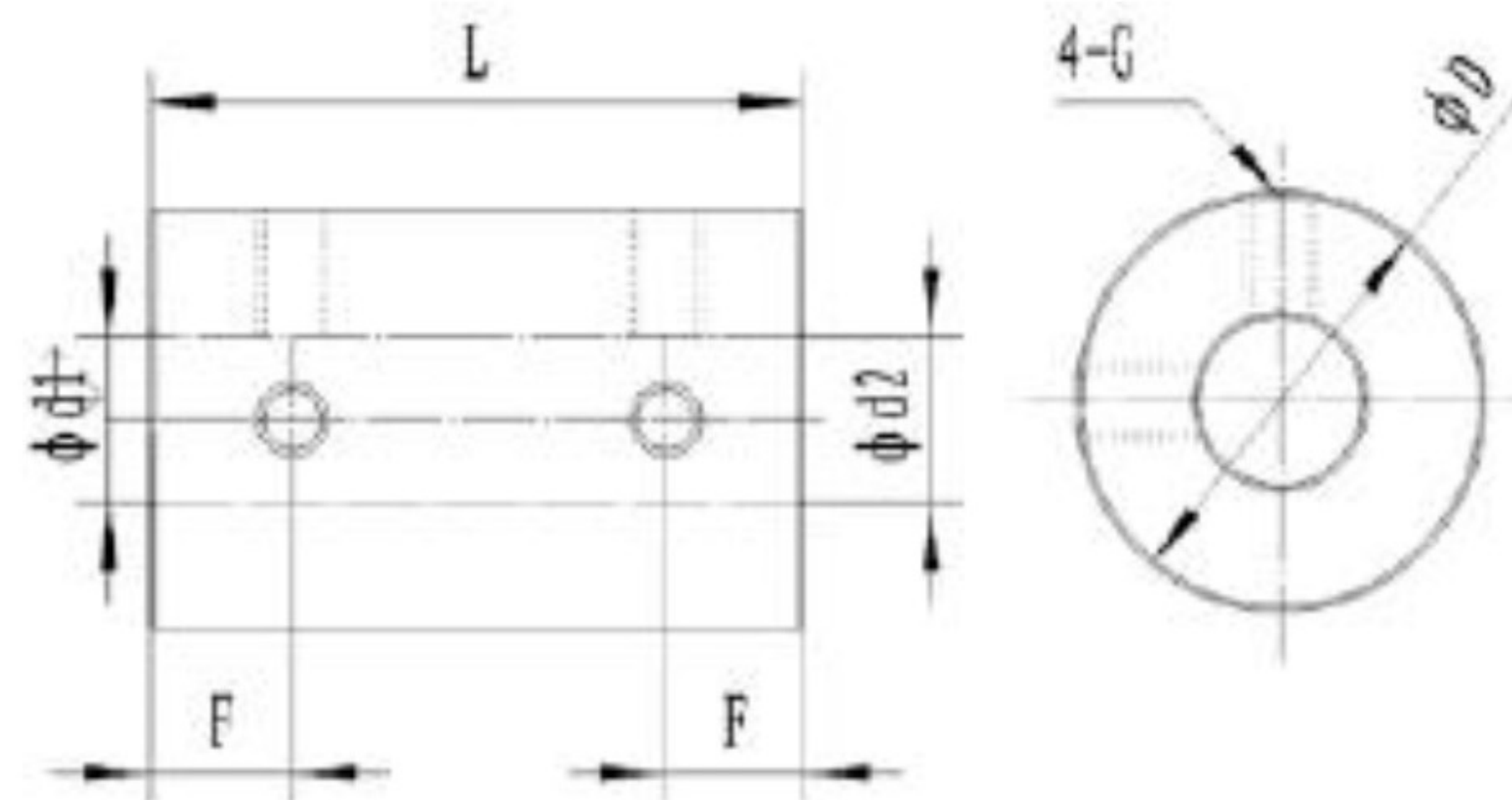


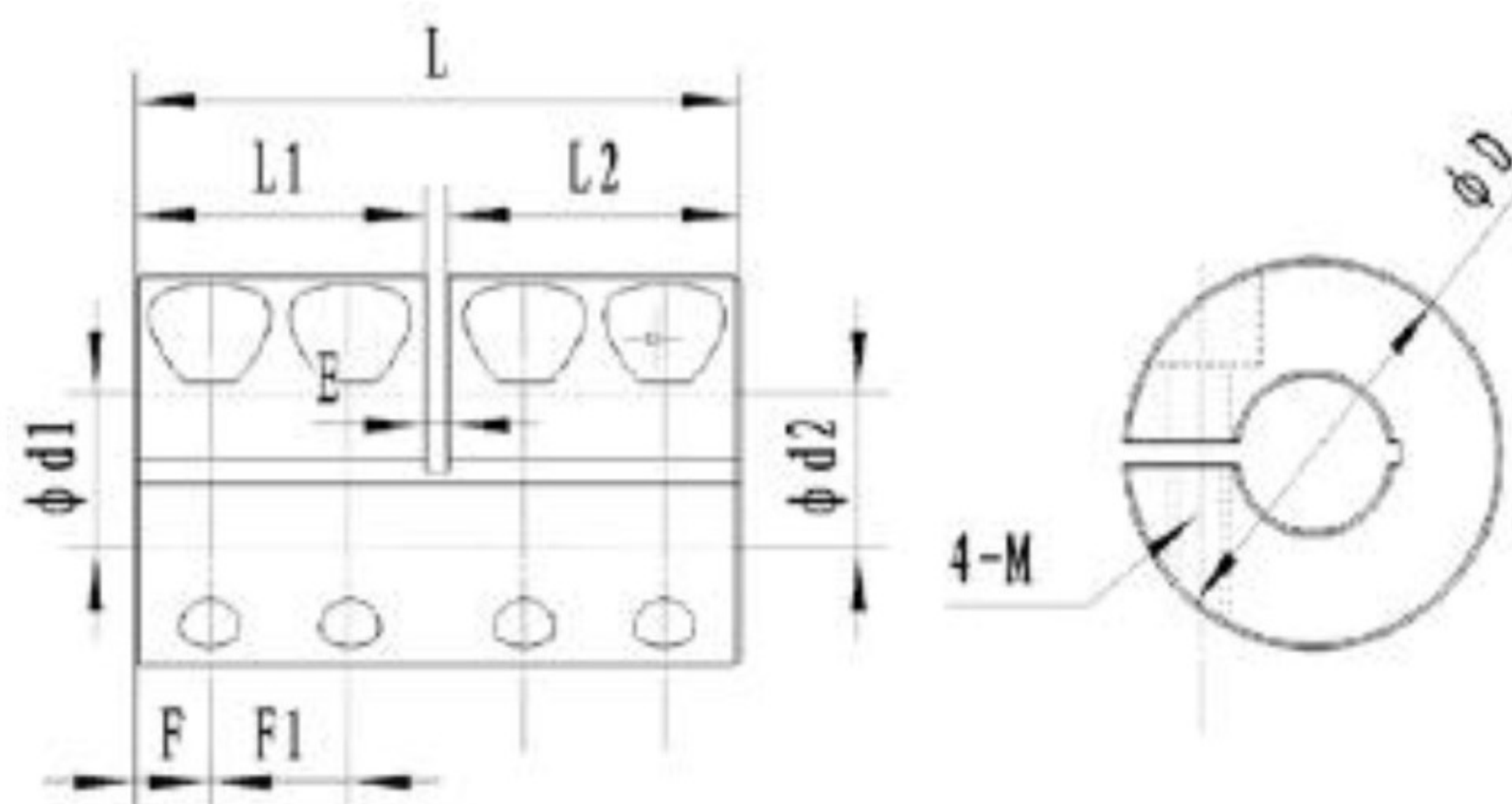
Rigid Coupling(RC Series)



Setscrew type
RC-S



Clamp type
RC-C



Dimension:(mm)

Material:Aluminum Alloy

Model	Bore (d1,d2)		D	L	L1/L2	E	F	F1	G	M	Locking torque (N.m)
	Min.	Max.									
RC16-S	4	6	16	16	-	-	3.8	-	M3	-	0.7
RC16-C	5	6		16	7.5	0.6	3.8	-	-	M2.5	1.0
RC20-S	5	10	20	30	-	-	7.0	-	M3	-	0.7
RC20-C	5	8		30	14.7	0.6	3.8	-	-	M3	1.0
RC25-S	6	12	25	40	-	-	9.0	-	M4	-	1.7
RC25-C	6	10		40	19.5	1	5.0	-	-	M4	1.5
RC30-S	6	16	30	44	-	-	10.0	-	M4	-	1.7
RC30-C	6	10		44	21	1.2	5.5	-	-	M4	2.5
RC40-S	10	24	40	50	-	-	12.0	-	M6	-	7.0
RC40-C	10	22		50	24.2	1.5	6.5	-	-	M5	4.0

Rigid Coupling(RC Series)

Technical Data

Model	Rated torque (N.m)	Max. torque (N.m)	Allowable speed (min ⁻¹)	Moment of inertia (10 ⁻⁶ kgm ²)	Net weight (g)
RC16-S	0.3	0.6	20000	0.4	11
RC16-C	0.3	0.6	18000	0.3	9
RC20-S	0.5	1.0	20000	1.3	20
RC20-C	0.5	1.0	16000	0.9	15
RC25-S	1.0	2.0	20000	3.9	39
RC25-C	1.0	2.0	16000	2.7	29
RC30-S	2.0	4.0	19000	12.0	71
RC30-C	2.0	4.0	14000	7.1	51
RC40-S	4.5	9.0	12000	46.0	170
RC40-C	4.5	9.0	10000	34.0	130